

2010 Sundance Spas 780 Hamilton Specifications

Dimensions: 88" x 88" x 36" (223.5 cm x 223.5 cm x 91.5 cm)
Seating Capacity: 5-6 Adults
Dry Weight: 805 lbs (365 kg)
Filled Weight: 4,711 lbs (2,137 kg)
Water Capacity (Spa Volume): 468 US Gal. (1,771 Liters)
Water Capacity (Average Fill): 380 US Gal. (1,438 Liters)



Controls: 780 Series Solid-State Electronic Controls with LED Readout Programmable Water Temperature, Filtration, and Heat Cycles

Water Delivery: 2 High Flow Pumps

Pump 1: North America (60 Hz): 2-Speed/2.5 HP Continuous, 11.0A Max.
Export (50 Hz): 2-Speed/2.0 HP Continuous, 8.0A Max.

Pump 2: North America (60 Hz): 1-Speed/2.5 HP Continuous, 10.0A Max.
Export (50 Hz): 1-Speed/2.0 HP Continuous, 7.0A Max

Pump 3: 24-Hour Filter/Circulation Pump

Total Hydrojets: **40**

Therapy Seat Jets (A): 2 SMT Micro, 4 SMT

Soaking Seat (B): 2 SMT Fluidix

Lounge Jets (C): 6 SMT Micro, 6 SMT Fluidix, 2 SMT

Half Lounge Jets (D): 2 SMT Micro, 3 SMT

Accu-Ssage Therapy Seat Jets (E): 9 Accu-Pressure, 2 SMT Micro

Footwell Jet (F): 2 SMT

Air Controls/Massage Selectors: 3/1; Standard air controls with LED light rings

Filter: MicroClean I Filtration System with Floating Weir, 125 ft² combined filtration (1 pleated and 1 spun-bound cartridge)

Water Treatment: Automatic Brominator and 24-Hour Circulation Pump; Ozone Adaptable

Lighting: Standard Multi-Colored SunRay LED Light

Synthetic Cabinet: Available in Sierra, Coastal, and Mahogany

Shell Colors: North America: Platinum, Sand, Sahara, Celestite, Oyster, Copper Sand, Twilight, Graphite

Export (50 Hz): All North America Colors

Handrails: N/A

Headrests: Four, 1-Piece Gray

Heater: North America (60 Hz): 5.5 kW, High Flow

Export (50 Hz): High Flow, 2.7 kW

Electrical Requirements: North America (60 Hz): 240 VAC@40A, 50A, or 60A;

Export (50 Hz): 230-240 VAC@20A, 30A, or 40A; or Suitably Rated Circuit Breaker to Comply with Local Electrical Regulations. Certain Countries May Require 2 Power Inputs; Two GFCI/RCD Breakers are Required for This Configuration.

Limited Warranty*: North America (60 Hz): 10 Years Shell, 7 Years Shell Surface, 5 Years for Plumbing Component Leaks, 5 Years Equipment and Controls, 5 Years Cabinet, 2 Years Jets

Export (50 Hz): 10 Years Shell, 7 Years Shell Surface, 2 Years Plumbing, 2 Years Equipment and Controls, 2 Years Cabinet, 2 Years Jets

Waterfall Feature: On/Off Flow Rate; Colored Lighting

Special Features Optional Factory Installed SunSurround System with Standard Wireless Remote Control and MP3 Plug

Inground Model Not Available

**Optional Factory Only
Installed Stainless Steel
Jet Escutcheons**

*(See Warranty Document for Specific Details)

Dimensions/Specifications Subject To Change Without Notice

2010 Sundance Spas 780 Hamilton

Operation/New Features



A Air Control - Adjusts All Therapy Seat Jets (2 SMT Micro, 4 SMT) + Soaking Seat Jet (2 SMT Fluidix)

B Waterfall Selector [24-Hour Circ. Pump] - Controls Waterfall Output

C Air Control - Adjusts All Lounge Jets (6 SMT Micro, 6 SMT Fluidix, 2 SMT) + All Half Lounge Jets (2 SMT Micro, 3 SMT) + Footwell Jets (2 SMT)

D Massage Selector [Pump 1]- Adjusts Massage Level Between All Accu-Ssage and Therapy Seat Jets + All Therapy Seat Jets + Soaking Seat Jets

E Air Control - Adjusts All Accu-Ssage Therapy Seat Jets (2 SMT Micro, 9 Accu-Pressure)

- Jets Pump 2: All Lounge, Half Lounge and Footwell Jets are always on when this pump is running

40 Total Jets



Accu-Pressure Jets (9)



SMT Micro Jets (12)



SMT Fluidix Jets (8)



SMT Jet (11)

Spa Operation Subject To Change Without Notice

NEW FOR 2010!



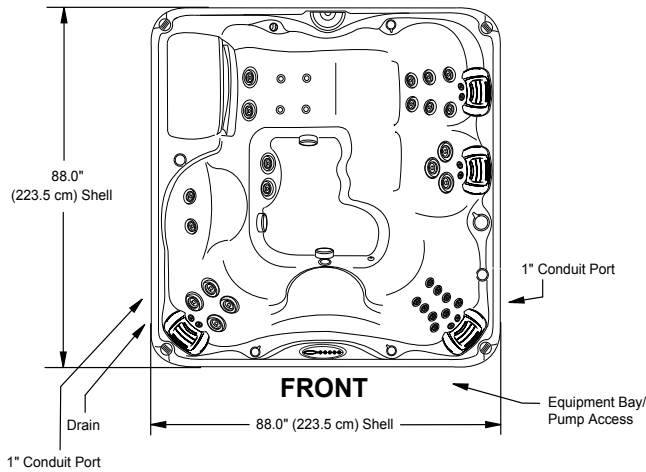
Mold, Size and jet configurations

Dimensions/Specifications Subject To Change Without Notice

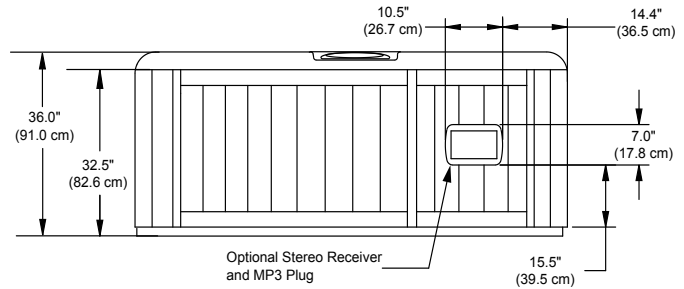
2010 Sundance Spas 780 Hamilton

Portable Dimensions

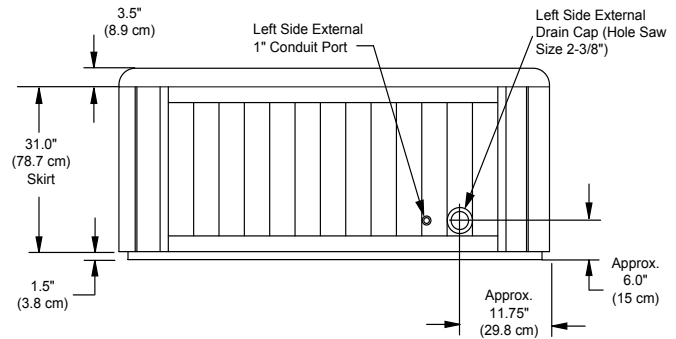
TOP VIEW



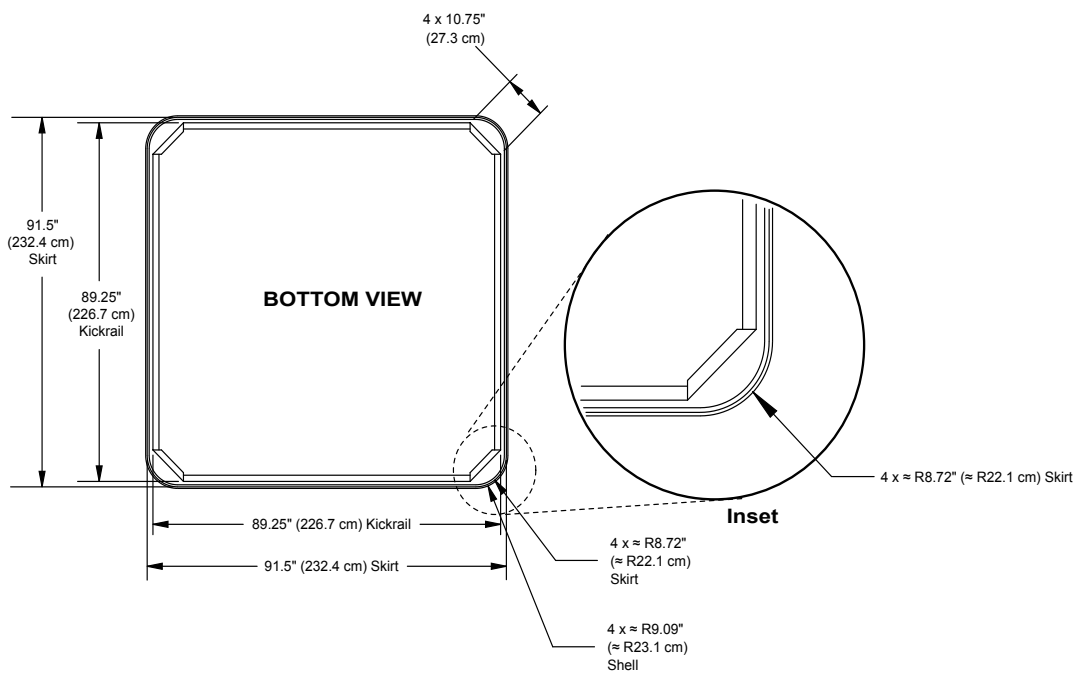
FRONT/BACK SIDE VIEW
(Front view of stereo option shown)



LEFT/RIGHT SIDE VIEW



IMPORTANT! Always measure each hot tub for exact dimensions BEFORE designing its foundational support and/or decking.



Dimensions/Specifications Subject To Change Without Notice