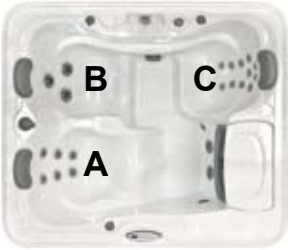


# 2010 Sundance Spas 780 Dover

## Specifications

<b>Dimensions:</b> .....	69" x 82" x 30.5" (175.5 cm x 208.5 cm x 77.5 cm)	
<b>Seating Capacity:</b> .....	2-3 Adults	
<b>Dry Weight:</b> .....	620 lbs (281 kg)	
<b>Filled Weight:</b> .....	3,124 lbs (1,417 kg)	
<b>Water Capacity (Spa Volume):</b> .....	300 US Gal (1,136 Liters)	
<b>Water Capacity (Average Fill):</b> .....	240 US Gal (908 Liters)	
<b>Controls:</b> .....	780 Series Solid-State Electronic Controls with LED Readout, Programmable Temperature, Filtration, Heat Cycles	
<b>Water Delivery:</b> .....	1 High-flow pump	
<b>Pump 1:</b> .....	North America (60 Hz): 2-Speed/1.5 HP Continuous, 13.0A Max. <b>Export (50 Hz): 2-Speed/2.0 HP Continuous, 8.0A max.</b>	
<b>Pump 2:</b> .....	24-Hour Filter/Circulation Pump	
<b>Total Hydrojets:</b> .....	<b>22</b>	
<b>Adirondack Lounge Jets (A):</b> .....	6 SMT Fluidix, 2 SMT	
<b>Contour Seat Jets (B):</b> .....	3 SMT	
<b>Accu-Sage Therapy Seat Jets (C):</b> .....	9 Accu-Pressure, 2 SMT Micro	
<b>Air Controls/Massage Selectors:</b> .....	3/1; Standard air controls with LED light rings	
<b>Filter:</b> .....	MicroClean Filter System, 125 ft <sup>2</sup> Combined Filtration, (1 pleated and 1 spun-bound cartridge)	
<b>Water Treatment:</b> .....	Automatic Brominator and 24-Hour Circulation Pump; Ozone Adaptable	
<b>Lighting:</b> .....	Standard Multicolored SunRay LED Light	
<b>Synthetic Cabinet:</b> .....	Available in Sierra, Coastal, and Mahogany	
<b>Shell Colors:</b> .....	North America: Platinum, Sand, Celestite, Sahara, Oyster, Copper Sand, Twilight, Graphite <b>Export (50 Hz): All North America Colors</b>	
<b>Handrails:</b> .....	N/A	
<b>Headrests:</b> .....	Three, 1-Piece Gray	
<b>Heater:</b> .....	North America Convertible Model (60 Hz): Low Flow, 1 kW@120 VAC or Convertible to 4 kW@240 VAC <b>Export (50 Hz): Low flow, 2.7 kW</b>	
<b>Electrical Requirements:</b> .....	North America Convertible Model (60 Hz): 120 VAC@15A with Supplied GFCI Cord or 240 VAC@30A or 40A (Hard Wired Only); <b>Export (50 Hz): 230-240 VAC@20A or 30A or suitably Rated Circuit Breaker to Comply with Local Electrical Regulations. Certain Countries May Require Dual Power Inputs; Two GFCI/RCD Breakers are Required for This Configuration.</b>	
<b>Limited Warranty*:</b> .....	North America (60 Hz): 10 Years Shell, 7 Years Shell Surface, 5 Years Plumbing Component Leaks, 5 Years Equipment and Controls, 2 Years Jets, 5 Years Cabinet, 2 Years Jets <b>Export (50 Hz): 10 Years Shell, 7 Years Shell Surface, 2 Years Plumbing Component Leaks, 2 Years Equipment and Controls, 2 Years Jets, 2 Years Cabinet</b>	
<b>Waterfall Feature:</b> .....	On/Off Flow Rate; Colored Lighting	
<b>Special Features:</b> .....	Not Available	
<b>Inground Model:</b> .....	Not Available	

\*(See Warranty Document for Specific Details)

Dimensions/Specifications Subject To Change Without Notice

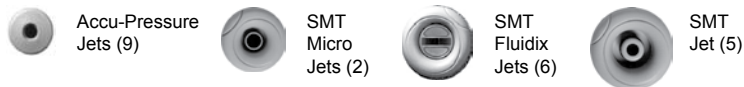
# 2010 Sundance Spas 780 Dover

## Operation/New Features



- (A)** Air Control - Adjusts all Adirondack Lounge Jets (6 SMT Fluidix, 2 SMT)
- (B)** Massage Selector [Pump 1]- Adjusts Massage Level Between Adirondack Lounge Jets + Contour Seat Jets and Accu-Ssage Therapy Seat Jets
- (C)** Air Control - Adjusts All Contour Seat Jets (3 SMT)
- (D)** Waterfall Selector [24-Hour Circulation Pump] - Controls Waterfall Output
- (E)** Air Control - Adjusts All Accu-Ssage Therapy Jets (9 Accu-Pressure, 2 SMT Micro)

### 22 Total Jets



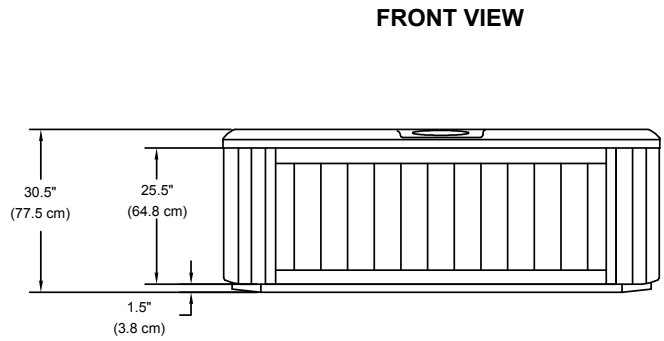
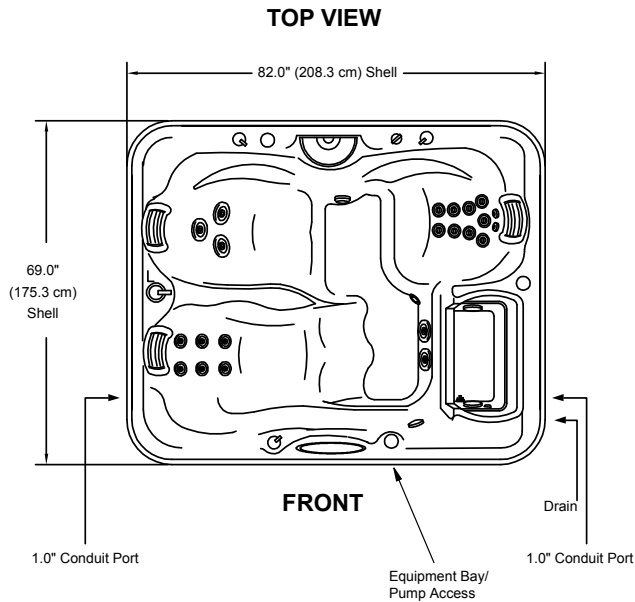
Spa Operation Subject To Change Without Notice

## NEW FOR 2010!

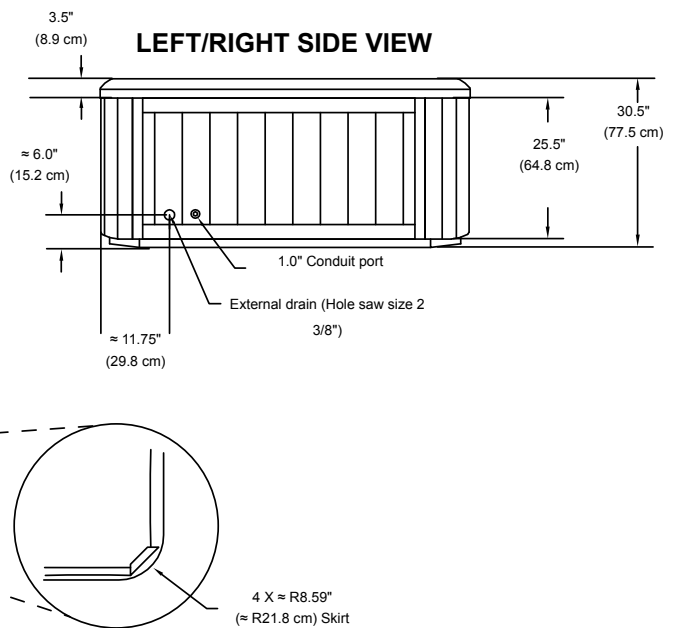
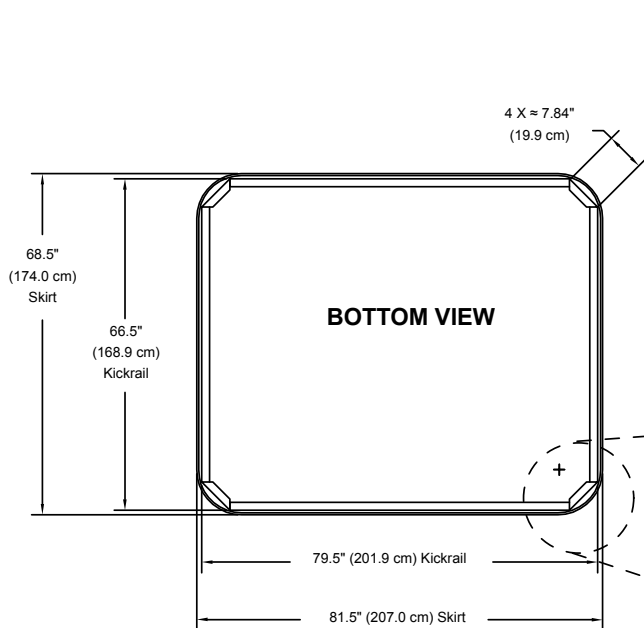
Dimensions/Specifications Subject To Change Without Notice

# 2010 Sundance Spas 780 Dover

## Portable Dimensions



**IMPORTANT! Always measure each hot tub for exact dimensions BEFORE designing its foundational support and/or decking.**



Dimensions/specifications subject to change without notice. Tolerance: ± 0.5" (1.27 cm)

Dimensions/Specifications Subject To Change Without Notice