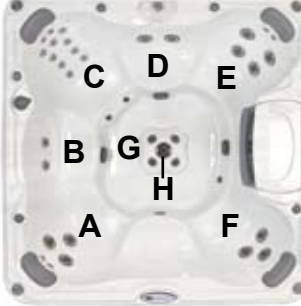


# 2010 Sundance Spas 780 Chelsee

## Specifications

<p><b>Dimensions:</b>..... 88" x 88" x 36" (223.5 cm x 223.5 cm x 91.5 cm)</p> <p><b>Seating Capacity:</b>..... 6-7 Adults</p> <p><b>Dry Weight:</b>..... 805 lbs (365 kg)</p> <p><b>Filled Weight:</b>..... 4,711 lbs (2,137 kg)</p> <p><b>Water Capacity (Spa Volume):</b>..... 468 US Gal (1,772 Liters)</p> <p><b>Water Capacity (Average Fill):</b>..... 380 US Gal (1,438 Liters)</p> <p><b>Controls:</b> ..... 780 Series Solid-State Electronic Controls with LED Readout, Programmable Water Temperature, Filtration, and Heat Cycles</p> <p><b>Water Delivery:</b>..... 2 High Flow Pumps</p> <p><b>Pump 1:</b> ..... North America (60 Hz): 2-Speed/2.5 HP Continuous, 11.3A Max. <b>Export (50 Hz): 2-Speed/2.0 HP Continuous, 8.0A Max.</b></p> <p><b>Pump 2:</b> ..... North America (60 Hz): 1-Speed/2.5 HP Continuous, 10.0A Max. <b>Export (50 Hz): 1-Speed/2.0 HP Continuous, 7.0A Max</b></p> <p><b>Pump 3:</b> ..... 24-Hour Filter/Circulation Pump</p> <p><b>Total Hydrojets:</b>..... <b>36</b></p> <p><b>Therapy Seat 1 (A):</b> ..... 2 SMT Micro, 3 SMT</p> <p><b>Soaking Seat 2 Jets (B):</b> ..... 2 SMT Fluidix</p> <p><b>Accu-Ssage Therapy Seat (C):</b> ..... 4 SMT Micro, 9 Accu-Pressure</p> <p><b>Soaking Seat 2 Jets (D):</b> ..... 2 SMT</p> <p><b>Contour Seat (E):</b>..... 2 SMT Micro, 4 SMT</p> <p><b>Therapy Seat 2 (F):</b>..... 3 SMT</p> <p><b>Footwell Jets (G):</b>..... 4 SMT Mini</p> <p><b>Center Footwell Jet (H):</b>..... 1 SMT Turbo</p> <p><b>Air Controls/Massage Selectors:</b>..... 4/1; Standard air controls with LED light rings</p> <p><b>Filter:</b> ..... MicroClean I Filtration System with Floating Weir, 125 ft<sup>2</sup> combined filtration (1 pleated and 1 spun-bound cartridge)</p> <p><b>Water Treatment:</b>..... Automatic Brominator and 24-Hour Circulation Pump; Ozone Adaptable</p> <p><b>Lighting:</b>..... Standard Multi-Colored SunRay LED Light</p> <p><b>Synthetic Cabinet:</b> ..... Available in Sierra, Coastal, and Mahogany</p> <p><b>Shell Colors:</b> ..... North America: Platinum, Sand, Sahara, Celestite, Oyster, Copper Sand, Twilight, Graphite <b>Export (50 Hz): All North America Colors</b></p> <p><b>Handrails:</b>..... N/A</p> <p><b>Headrests:</b>..... Four, 1-Piece Gray</p> <p><b>Heater:</b>..... North America (60 Hz): 5.5 kW, High Flow <b>Export (50 Hz): High Flow, 2.7 kW</b></p> <p><b>Electrical Requirements:</b> ..... North America (60 Hz): 240 VAC@40A, 50A, or 60A; <b>Export (50 Hz): 230-240 VAC@20A, 30A, or 40A; or Suitably Rated Circuit Breaker to Comply with Local Electrical Regulations. Certain Countries May Require Dual Power Inputs; Two GFCI/RCD Breakers are Required for This Configuration.</b></p> <p><b>Limited Warranty*:</b>..... North America (60 Hz): 10 Years Shell, 7 Years Shell Surface, 5 Years for Plumbing Component Leaks, 5 Years Equipment and Controls 5 Years Cabinet, 2 Years Jets <b>Export (50 Hz): 10 Years Shell, 7 Years Shell Surface, 2 Years Plumbing, 2 Years Equipment and Controls, 2 Years Cabinet, 2 Years Jets</b></p> <p><b>Waterfall Feature:</b> ..... On/Off Flow Rate; Colored Lighting</p> <p><b>Special Features</b> ..... Optional Factory Installed SunSurround System with Standard Wireless Remote Control and MP3 Plug</p> <p><b>Inground Model</b>..... Not Available</p>	
--	---

**Optional Factory Only  
Installed Stainless Steel  
Jet Escutcheons**

\*(See Warranty Document for Specific Details)

Dimensions/Specifications Subject To Change Without Notice

# 2010 Sundance Spas 780 Chelsee

## Operation/New Features



**A** Air Control - Adjusts All Therapy Seat 1 Jets (2 SMT Micro, 3 SMT) + All Therapy Seat 2 Jets (3 SMT) + Soaking Seat 1 Jets (2 SMT Fluidix) + Footwell Jets (4 SMT Mini)

**B** Massage Selector [Pump 1]- Adjusts Massage Level Between All Accu-Ssage Therapy Seat Jets and All Contour Seat Jets + Center Footwell Jet + Soaking Seat 2 Jets

**C** Waterfall Selector [24-Hour Circ. Pump] - Controls Waterfall Output

**D** Air Control - Adjusts All Accu-Ssage Therapy Seat Jets (4 SMT Micro, 9 Accu-Pressure)

**E** Air Control - Adjusts All Contour Seat Jets (2 SMT Micro, 4 SMT) + Soaking Seat 2 Jets (2 SMT)

**F** Air Control - Adjusts Center Footwell Jet (1 SMT Turbo)

• Jets Pump 2: All Therapy Seat 1 Jets + Therapy Seat 2 Jets + Soaking Seat 1 Jets + 4 Footwell Jets are always on when this pump is running

### 36 Total Jets



Spa Operation Subject To Change Without Notice

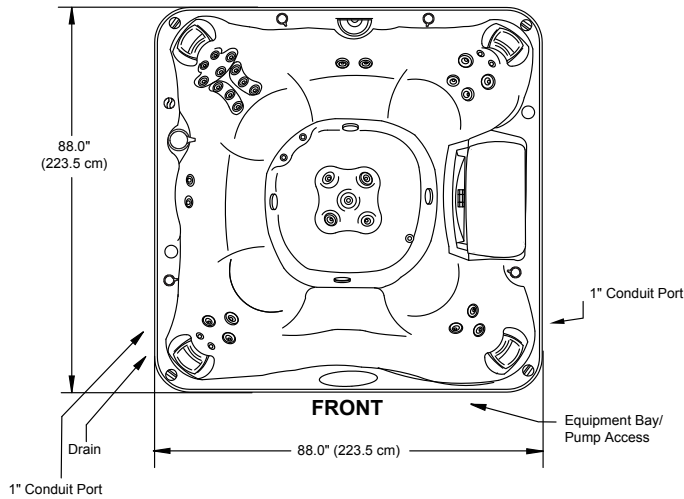
## NEW FOR 2010!

Dimensions/Specifications Subject To Change Without Notice

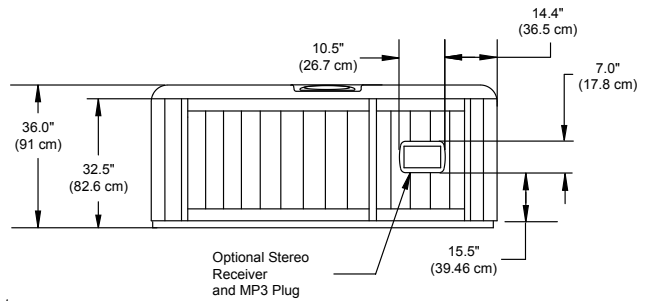
# 2010 Sundance Spas Chelsee

## Portable Dimensions

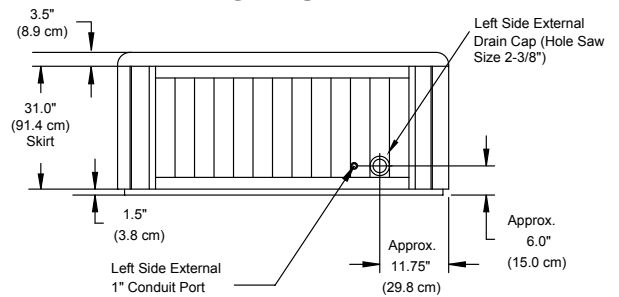
**TOP VIEW**



**FRONT/BACK VIEW**  
(Front view with stereo option shown)



**LEFT/RIGHT SIDE VIEW**



**IMPORTANT! Always measure each hot tub for exact dimensions BEFORE designing its foundational support and/or decking.**

