


2010 Sundance Spas 780 Certa Specifications

<p>Dimensions:..... 81" x 86" x 37.5" (206 cm x 218.5 cm x 95.25 cm)</p> <p>Seating Capacity:..... 5-6 Adults</p> <p>Dry Weight:..... 780 lbs (354 kg)</p> <p>Filled Weight:..... 4,477 lbs (2,031 kg)</p> <p>Water Capacity (Spa Volume):..... 443 US Gal (1,677 Liters)</p> <p>Water Capacity (Average Fill):..... 340 US Gal (1,287 Liters)</p> <p>Controls: 780 Series Solid-State Electronic Controls with LED Readout, Programmable Water Temperature, Filtration, and Heat Cycles</p> <p>Water Delivery:..... 2 High Flow Pump</p> <p>Pump 1: North America (60 Hz): 2-Speed/2.5 HP Continuous, 11A Max. Export (50 Hz): 2-Speed/2.0 HP Continuous, 8.0A Max.</p> <p>Pump 2: North America (60 Hz): 1-Speed/1.5 HP Continuous, 10A Max. Export (50 Hz): 1-Speed/2.0 HP Continuous, 7.0A Max.</p> <p>Pump 3: 24-Hour Filter/Circulation Pump</p> <p>Total Hydrojets:..... 35</p> <p>Accu-Ssage Therapy Seat Jets (A):..... 2 SMT Micro, 9 Accu-Pressure</p> <p>Soaking Seat Jet (B): 2 SMT Fluidix</p> <p>Lounge Jets (C):..... 6 SMT Micro, 6 SMT Fluidix, 2 SMT</p> <p>Half Lounge Jets (D):..... 2 SMT</p> <p>Contour Seat Jets (E): 4 SMT</p> <p>Footwell Jets (F): 2 SMT</p> <p>Air Controls/Massage Selectors:..... 4/1; Standard air controls with LED light rings</p> <p>Filter: MicroClean I Filtration System with Floating Weir, 125 ft² combined filtration, (1 pleated and 1 spun-bound cartridge)</p> <p>Water Treatment:..... Automatic Brominator and 24-Hour Circulation Pump; Ozone Adaptable</p> <p>Lighting:..... Standard Multi-Colored SunRay LED Light</p> <p>Synthetic Cabinet:..... Available in Sierra, Coastal, and Mahogany</p> <p>Shell Colors: North America: Platinum, Sand, Sahara, Celestite, Oyster, Copper Sand, Twilight, Graphite Export (50 Hz): All North America Colors</p> <p>Handrails:..... N/A</p> <p>Headrests:..... Three, 1-Piece Gray</p> <p>Heater:..... North America (60 Hz): 5.5 kW, High Flow Export (50 Hz): High Flow, 2.7 kW</p> <p>Electrical Requirements: North America (60 Hz): 240 VAC@40A, 50A, or 60A; Export (50 Hz): 230-240 VAC@20A, 30A, or 40A; or Suitably Rated Circuit Breaker to Comply with Local Electrical Regulations. Certain Countries May Require Dual Power Inputs; Two GFCI/RCD Breakers are Required for This Configuration.</p> <p>Limited Warranty*:..... North America (60 Hz): 10 Years Shell, 7 Years Shell Surface, Years for Plumbing Component Leaks, 5 Years Equipment and Controls 5 Years Cabinet, 2 Years Jets Export (50 Hz): 10 Years Shell, 7 Years Shell Surface, 2 Years Plumbing, 2 Years Equipment and Controls, 2 Years Cabinet, 2 Years Jets</p> <p>Waterfall Feature: On/Off Flow Rate; Colored Lighting</p> <p>Special Features Optional Factory Installed SunSurround Stereo System with Standard Wireless Remote Control and MP3 Plug</p> <p>Inground Model: Not Available</p>	 <div style="border: 1px solid black; padding: 5px; margin-top: 20px; text-align: center;"> <p>Optional Factory Only Installed Stainless Steel Jet Escutcheons</p> </div>
---	---

*(See Warranty Document for Specific Details)

Dimensions/Specifications Subject To Change Without Notice

2010 Sundance Spas 780 Certa

Operation/New Features



- (A)** Air Control - Adjusts Accu-Ssage Therapy Seat Jets (2 SMT Micro, 9 Accu-Pressure)
- (B)** Waterfall Selector [24-Hour Circ. Pump] - Controls Waterfall Output
- (C)** Air Control - Adjusts All Lounge Jets (6 SMT Micro, 6 SMT Fluidix, 2 SMT) + All Half Lounge Jets (2 SMT)
- (D)** Massage Selector [Pump 1]- Adjusts Massage Level Between Lounge + Half Lounge Jets and All Accu-Ssage Therapy Seat Jets
- (E)** Air Control - Adjusts All Footwell Jets (2 SMT) + All Contour Seat Jets (4 SMT) + Soaking Seat Jet (2 SMT Fluidix)

- Jets Pump 2: All Contour Seat Jets + Footwell Jets + Soaking Seat Jet are always on when this pump is running

35 Total Jets



Spa Operation Subject To Change Without Notice

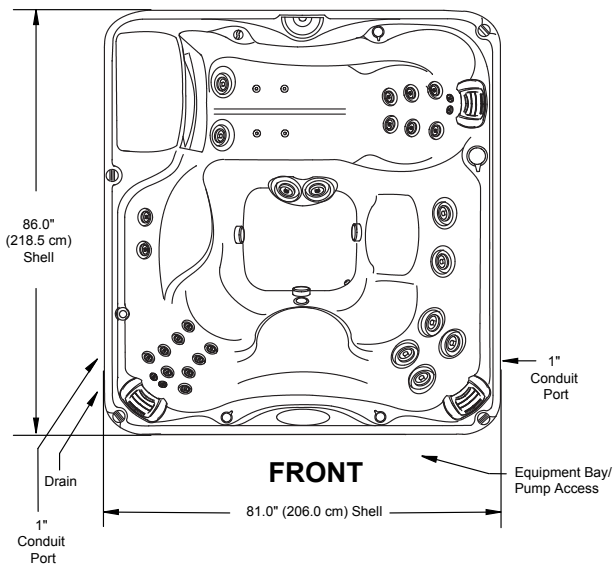
NEW FOR 2010!

Dimensions/Specifications Subject To Change Without Notice

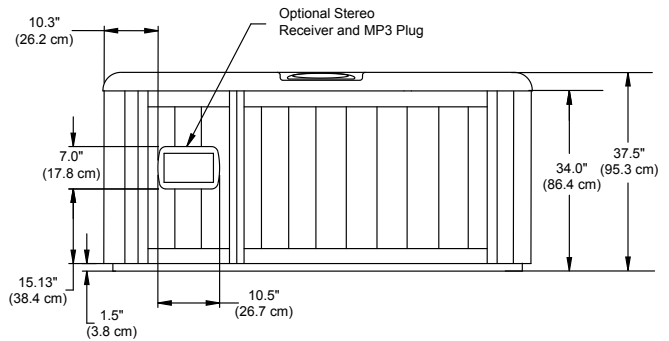
2010 Sundance Spas 780 Certa

Certa Portable Dimensions

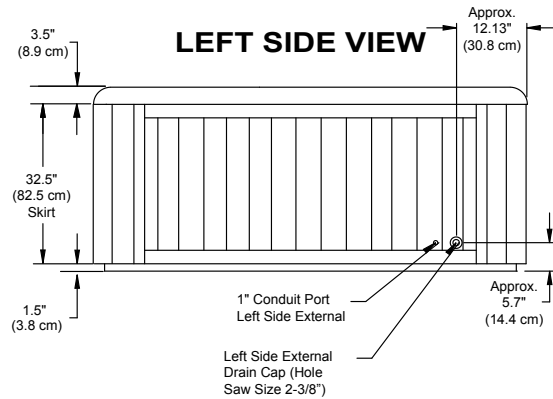
TOP VIEW



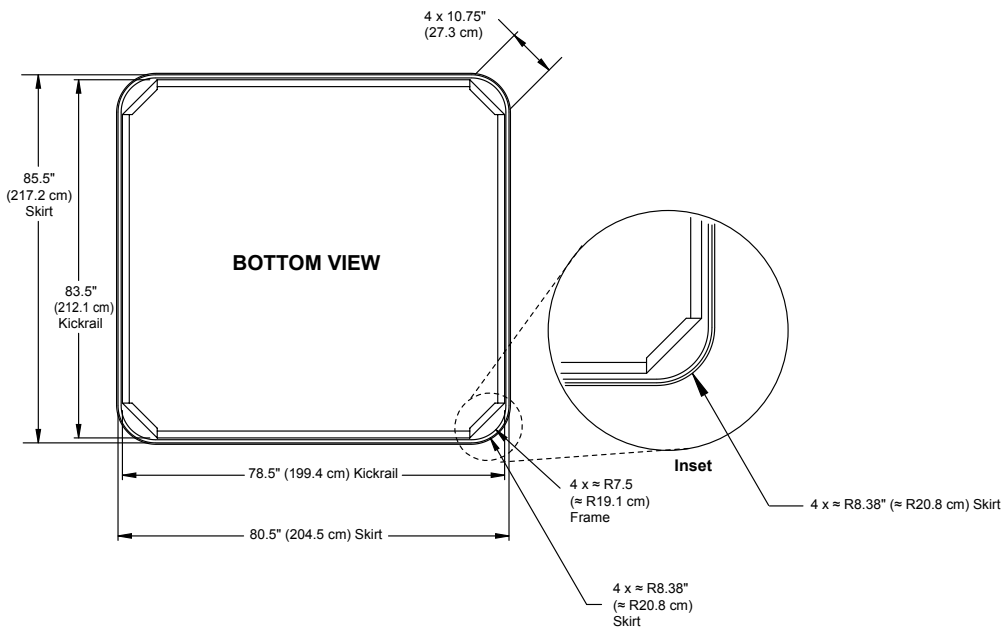
FRONT/BACK VIEW
(Front view of stereo option shown)



LEFT SIDE VIEW



IMPORTANT! Always measure each hot tub for exact dimensions BEFORE designing its foundational support and/or decking.



Dimensions/Specifications Subject To Change Without Notice