

2010 Sundance Spas 780 Camden

Specifications

Dimensions:	76" x 83" x 34" (193 cm x 211 cm x 86.5 cm)	
Seating Capacity:	4 Adults	
Dry Weight:	622 lbs (282 kg)	
Filled Weight:	3,476 lbs (1,577 kg)	
Water Capacity (Spa Volume):	342 US Gal (1,295 Liters)	
Water Capacity (Average Fill):	290 US Gal (1,098 Liters)	
Controls:	780 Series Solid-State Electronic Controls with LED Readout, Programmable Temperature, Filtration, and Heat Cycles	
Water Delivery:	1 High Flow Pump	
Pump 1:	North America (60 Hz): 2-Speed/2.5 HP Continuous, 11A Max; Export (50 Hz): 2-Speed/2.0 HP Continuous, 8.0A Max	
Pump 2:	24-Hour Filter/Circulation Pump	
Total Hydrojets:	24	
Therapy Seat 1 Jets (A):	2 SMT Mini	
Accu-Ssage Therapy Seat Jets (B):	9 Accu-Pressure, 2 SMT Micro	
Pivot Seat Jets (C):	2 SMT Mini, 2 SMT Fluidix	
Therapy Seat 2 Jets (D):	2 SMT Micro, 2 SMT Mini, 1 SMT	
Footwell Jets:	2 SMT	
Air Controls/Massage Selectors:	4/1; Standard air controls with LED light rings	
Filter:	MicroClean I Filtration System with Floating Weir, 125 ft ² combined filtration, (1 pleated and 1 spun-bound cartridge)	
Water Treatment:	Automatic Brominator and 24-Hour Circulation Pump; Ozone Adaptable	
Lighting:	Standard Multi-Colored SunRay LED Light	
Synthetic Cabinet:	Available in Sierra, Coastal, and Mahogany	
Shell Colors:	North America: Platinum, Sand, Sahara, Celestite, Oyster, Copper Sand, Twilight, Graphite Export (50 Hz): All North America Colors	
Handrails:	N/A	
Headrests:	Three, 1-Piece Gray	
Heater:	North America Model (60 Hz): Low Flow 5 kW@240 VAC; Export (50 Hz): Low Flow, 2.7 kW	
Electrical Requirements:	North America Model (60 Hz): 240 VAC@40A or 50A Export (50 Hz): 230-240 VAC@20A or 30A; or Suitably Rated Circuit Breaker to Comply with Local Electrical Regulations. Certain Countries May Require Dual Power Inputs; Two GFCI/RCD Breakers are Required for This Configuration.	
Limited Warranty*:	North America (60 Hz): 10 Years Shell, 7 Years Shell Surface, 5 Years Plumbing Component Leaks, 5 Years Equipment and Controls, 5 Years Cabinet, 2 Years Jets Export (50 Hz): 10 Years Shell, 7 Years Shell Surface, 2 Years Plumbing Component Leaks, 2 Years Equipment and Controls, 2 Years Cabinet, 2 Years Jets	
Waterfall Feature:	On/Off Flow Rate; Colored Lighting	
Special Features:	The Optional SunSurround Audio System Not Offered on This Model	
Inground Model:	Not Available	

**Optional Factory Only
Installed Stainless Steel
Jet Escutcheons**

*(See Warranty Document for Specific Details)

Dimensions/Specifications Subject To Change Without Notice

2010 Sundance Spas 780 Camden

Operation/New Features



- (A)** Air Control - Adjusts All Therapy Seat 1 Jets (2 SMT Mini) + Footwell Jets (2 SMT)
- (B)** Air Control - Adjusts All Accu-Ssage Therapy Seat Jets (2 SMT Micro, 9 Accu-Pressure)
- (C)** Waterfall Selector [24-Hour Circ. Pump] - Controls Waterfall Output
- (D)** Massage Selector [Pump 1]- Adjusts Massage Level Between Accu-Ssage Therapy Seat Jets and All Contour Seat Jets + Therapy Seat 2 Jets
- (E)** Air Control - Adjusts All Contour Seat Jets (2 SMT Fluidix, 2 SMT Mini)
- (F)** Air Control - Adjusts Therapy Seat 2 Jets (2 SMT Micro, 2 SMT Mini, 1 SMT)

• Footwell Jets + Therapy Seat 1 Jets are always on when the pump is running

24 Total Jets



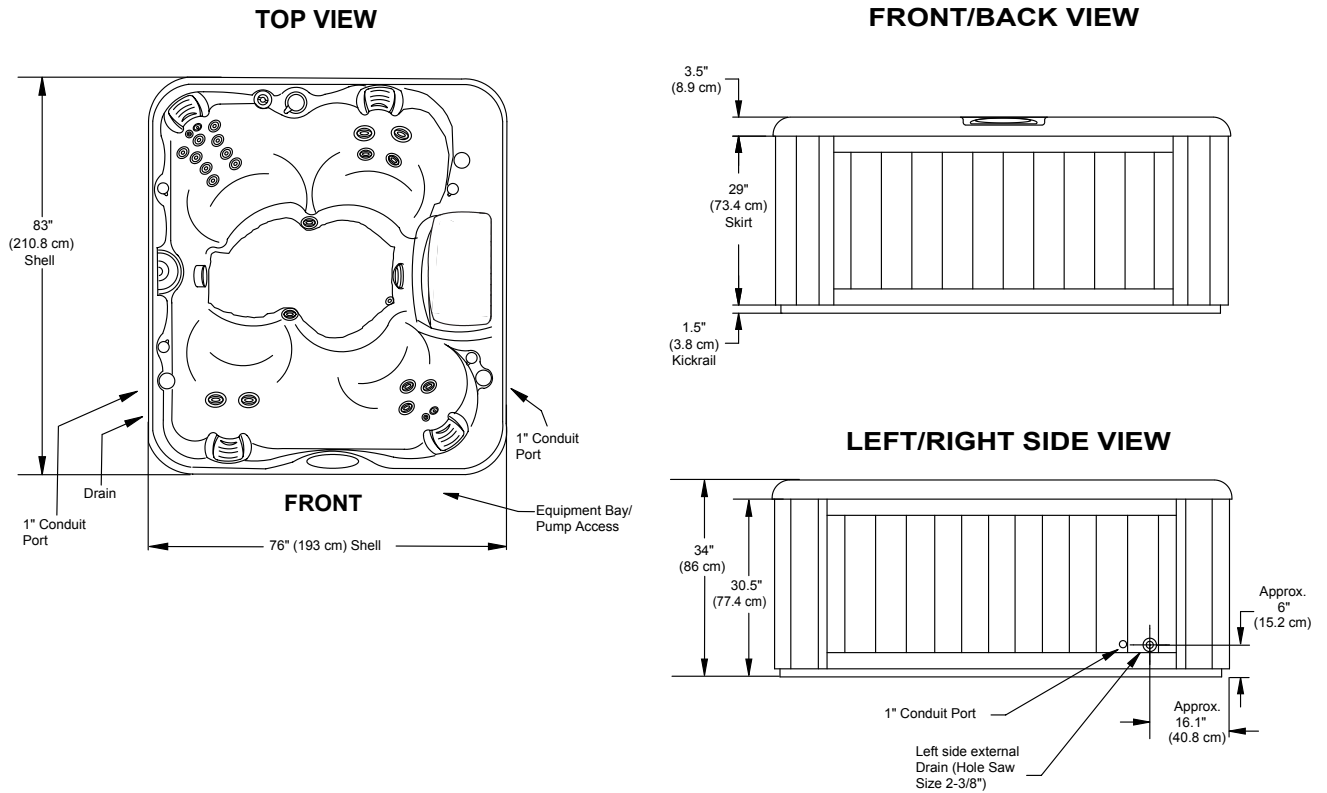
Spa Operation Subject To Change Without Notice

NEW FOR 2010!

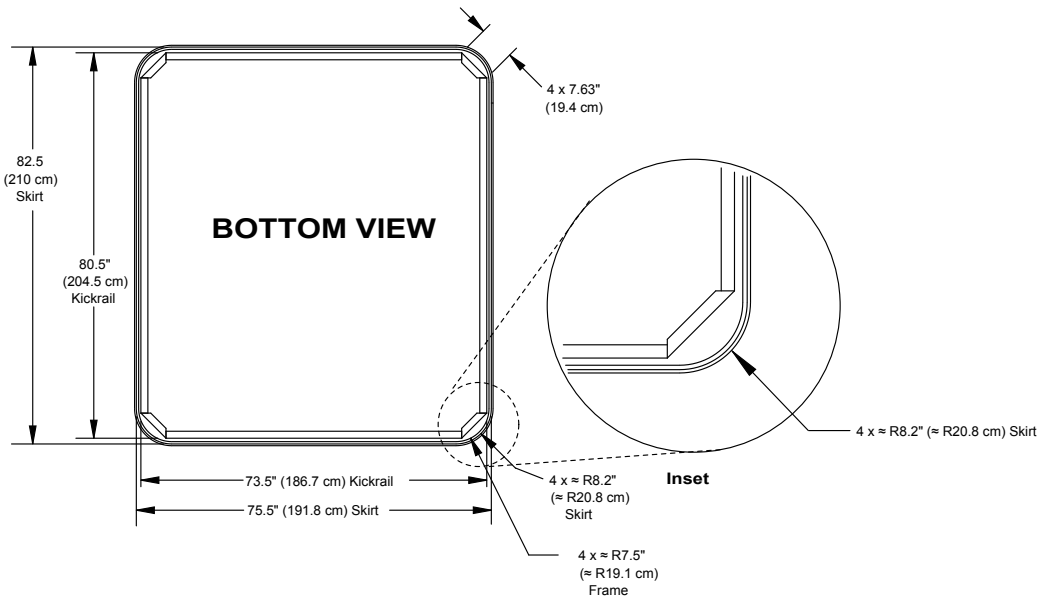
Dimensions/Specifications Subject To Change Without Notice

2010 Sundance Spas 780 Camden

Portable Dimensions



STOP **IMPORTANT! Always measure each hot tub for exact dimensions BEFORE designing its foundational support and/or decking.** **STOP**



Dimensions/Specifications Subject To Change Without Notice