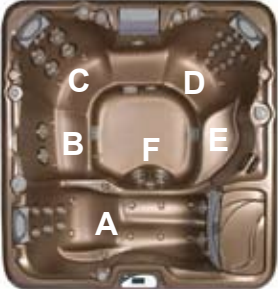


2010 Sundance Spas 880 Altamar

Specifications

Dimensions:	81" x 86" x 37.5" (206 cm x 218.5 cm x 95.5 cm)	
Seating Capacity:	5-6 Adults	
Dry Weight:	821 lbs (373 kg)	
Filled Weight:	4,618 lbs (2,095 kg)	
Water Capacity (Spa Volume):	455 US Gal (1,722 Liter)	
Water Capacity (Average Fill):	385 US Gal (1,457 Liter)	
Controls:	880 Series Solid State, LCD User Interface Displays Temperature, Time, Cycles and Fingertip Jet/Air System Control. Offers Customizing of Preprogrammed Filtration Cycles and Water Temperature Setting	
Water Delivery:	2 TheraMax High-Flow Pumps and 12-Hour Dynamic Flow Circulation System	
Pump 1:	North America (60 Hz): 1-Speed/2.5 HP Continuous, 11.3A Max. Export (50 Hz): 1-Speed/2.0 HP Continuous, 7.0A Max.	
Pump 2:	North America (60 Hz): 1-Speed/2.5 HP Continuous, 11.3A Max. Export (50 Hz): 1-Speed/2.0 HP Continuous, 7.0A Max.	
Pump 3:	High Output Dynamic Flow, 12-Hour Filter/Circulation Pump (35 gpm) Programmable for Daily Start Time and Duration	
Total Hydrojets:	35	
Lounge Jets (A):	6 Fluidix Reflex Jets, 2 Pulsator, 2 Fluidix Intelli-Jet	
Upright Pivot Seat Jets (B):	2 Fluidix Intelli-Jet	
Contour Seat Jets (C):	2 Fluidix Nex, 2 Vortex, 2 Fluidix Intelli-Jet	
Accu-Ssage Therapy Seat Jets (D):	12 Fluidix ST, 2 Fluidix Nex	
Footwell Jets (E):	2 Whirlpool	
Rear Wall Jet:	1 Whirlpool	
Air Blower:	High-Efficiency, 1-Speed	
Aromatherapy Delivery:	14 Air Injector Jets with Quiet High Speed Air Pump	
Air Controls/Massage Selectors:	5/1 (Standard air controls with LED light rings)	
Filter:	MicroClean Ultra Filtration System, 130 ft ² (2 interlocking cartridge filters)	
Water Treatment:	Automatic Brominator and 12-Hour Circulation Pump; Ozone Adaptable	
Lighting:	AquaTerrace Multi-Colored Sunglow LED Lighting System (1 Waterfall, 1 Footwell, 5 Air controls, and 1 Backlit handrail)	
Synthetic Cabinet:	Available in Sierra, Coastal, and Mahogany	
Shell Colors:	North America (60 Hz): Platinum, Sand, Sahara, Celestite, Oyster, Copper Sand, Twilight, Graphite Export (50 Hz): All North America Colors	
Handrails:	One High Quality Stainless Steel with a backlit LED light	
ComforTone Headrests:	Three 2-Part/2-Tone Gray	
Heater:	North America (60 Hz): 5.5 kW with Titanium Element Export (50 Hz): 2.7 kW with Titanium Element	
Electrical Requirements:	North America (60 Hz): 240 VAC@40A, 50A or 60A; Export (50 Hz): 230-240 VAC@20A, 30A or 40A; or Suitably Rated Circuit Breaker to Comply with Local Electrical Regulations. Certain Countries may Require 2 Power Inputs; Two GFCI/RCD Breakers are Required for This Configuration.	
Limited Warranty*:	North America (60 Hz): 10 Years Shell, 7 Years Shell Surface, 5 Years Plumbing Component Leaks, 5 Years Equipment and Controls, 5 Years Cabinet, 5 Years Jets Export (50 Hz): 10 Years Shell, 7 Years Shell Surface, 2 Years Plumbing Component Leaks, 2 Years Equipment and Controls, 2 Years Cabinet, 2 Years Jets	
Waterfall Feature:	Adjustable Flow Rate; Colored back-lighting	
Special Features:	(Portable Models Only): Optional Factory Installed Intelli-Sound Audio System with Deluxe Wireless Remote Control, iPod Docking Station, Auxiliary 3.5 mm jack for MP3 Player, 1 (GB) hard drive, USB port, and CD/AM/FM radio	
Inground Model:	Not Available	

*(See Warranty Document for Specific Details)

Dimensions/Specifications Subject To Change Without Notice

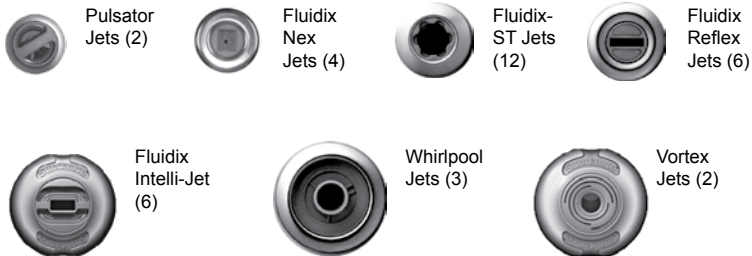
2010 Sundance Spas 880 Altamar

Operation/New Features



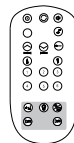
- A** Air Control - Adjusts Lounge Jets (6 Fluidix Reflex, 2 Pulsator, 2 Fluidix Intelli-Jet)
 - B** Sunscents Dispenser
 - C** Air Control - Adjusts Upright Pivot Seat Jets (2 Fluidix Intelli-Jet) + Contour Seat Jets (2 Fluidix Nex, 2 Vortex, 2 Fluidix Intelli-Jet)
 - D** Air Control - Adjusts Rear Wall Jet (1 Whirlpool) + Footwell Jets (2 Whirlpool)
 - E** Waterfall Selector [12-Hour Circ. Pump] - Controls Waterfall Output
 - F** Air Control - Adjusts Lower Six Accu-Ssage Therapy Seat Jets (6 Fluidix-ST)
 - G** Air Control - Adjusts Upper Eight Accu-Ssage Therapy Seat (2 Fluidix Nex, 6 Fluidix-ST)
 - H** Massage Selector [Pump 2] - Adjusts Massage Level Between All Accu-Ssage Therapy Seat Jets and Rear Wall Whirlpool Jet + Footwell Whirlpool Jets
- Jets Pump 1: All Lounge Jets + Contour Seat Jets + Upright Pivot Seat Jets are always on when this pump is running.

35 Total Jets



Spa Operation Subject To Change Without Notice

NEW FOR 2010!

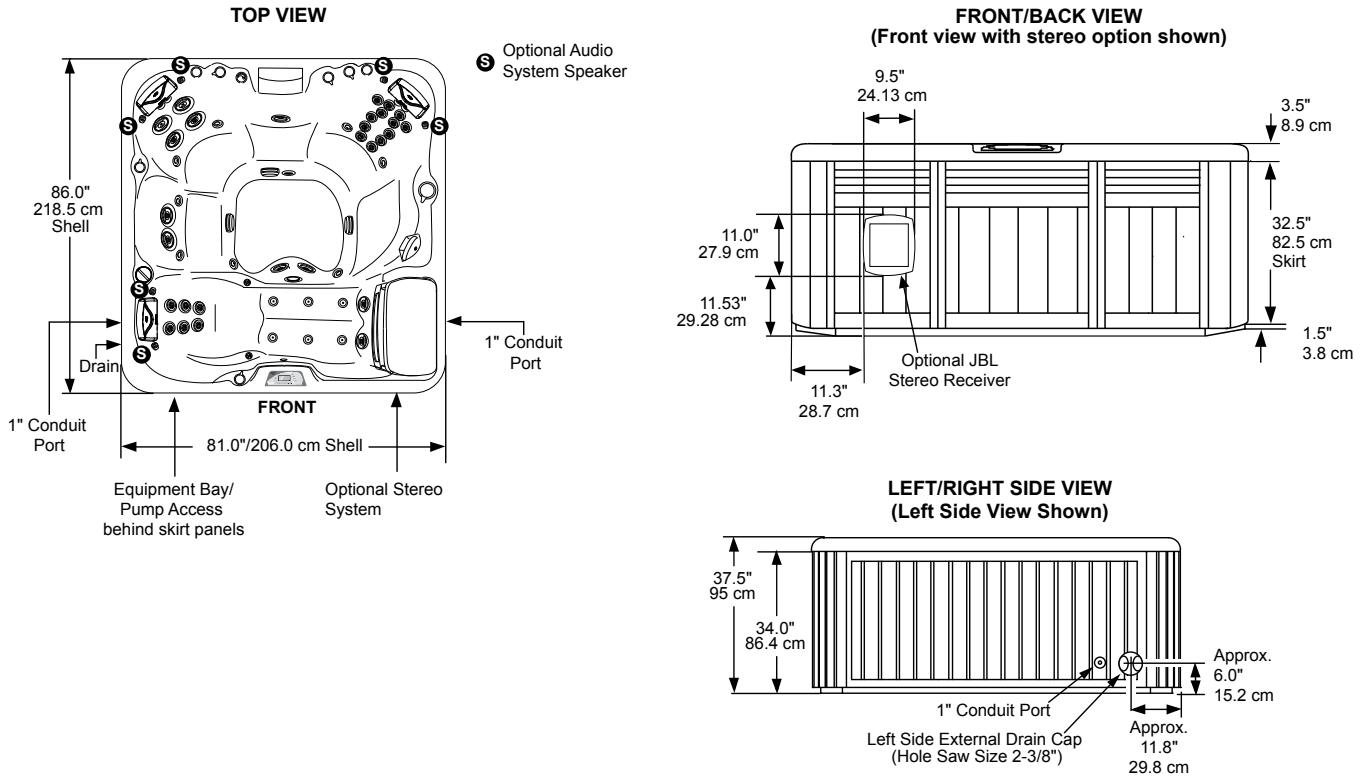


New Aquatic Remote

Dimensions/Specifications Subject To Change Without Notice

2010 Sundance Spas 880 Altamar

Portable Dimensions



IMPORTANT! Always measure each hot tub for exact dimensions BEFORE designing its foundational support and/or decking.

